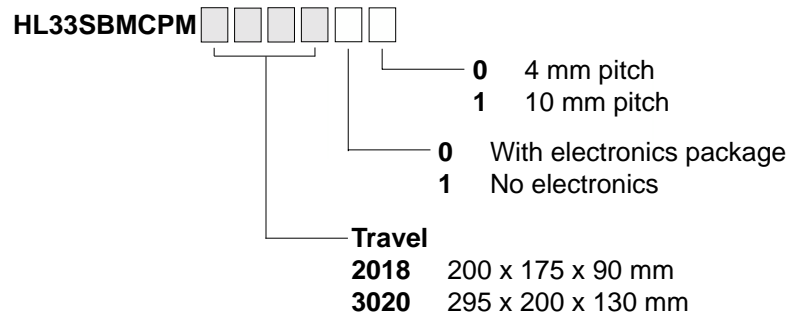


FEATURES

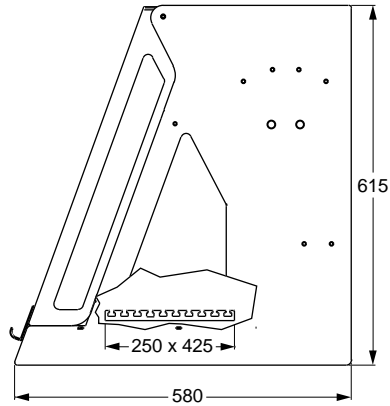
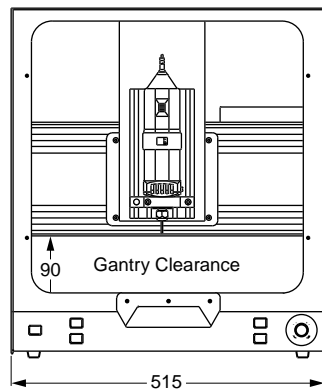
- ◆ Choice of 200 x 175 x 90 mm or 295 x 200 x 130 mm work envelope
- ◆ Can be supplied with or without electronics
- ◆ 16 mm diameter ball screws with either 4 mm or 10 mm pitch
- ◆ CNC or DNC programming via RS232
- ◆ T-slotted Z-axis face plate for easy mounting of optional tooling
- ◆ 3-axis linear and 2-axis circular interpolation when used with optional electronics
- ◆ Safety enclosure with safety interlock switch
- ◆ Comes fully assembled and **READY TO USE**
- ◆ All machines come with stepper motors installed and wired



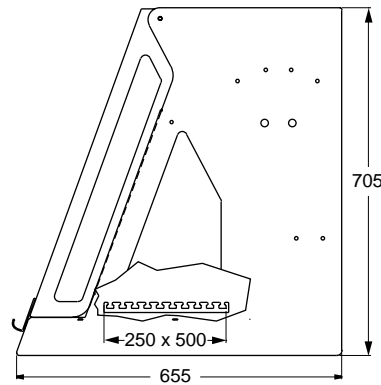
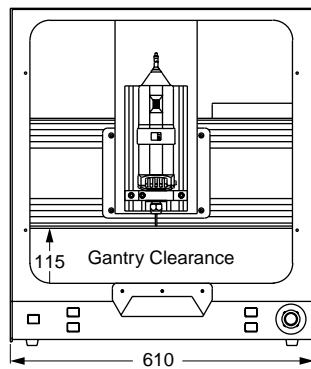
CATALOG NUMBER



NOTE: This machine is CE compliant.



CPM 2018



CPM 3020

Specifications	Catalog Number	
	CPM2018	CPM3020
Travel	200 x 175 x 90 mm (7.87 x 6.89 x 3.54 in)	295 x 200 x 130 mm (11.6 x 7.87 x 5.1 in)
Weight	71 kg (156 lbs)	76 kg (167 lbs)
Outside Dimensions	515 x 580 x 615 mm (20.3 x 22.9 x 24.2 in)	610 x 655 x 705 mm (24.1 x 25.8 x 27.8 in)
Repeatability	<0.01 mm (<.0004 in)	
Accuracy	<0.05 mm (<.002 in)	
Vertical Static Load Capacity (Z-Axis)	6.8 kg (15 lbs)	
No Load Speed (10 mm screws)	60 mm / sec (2.3 in / sec)	
No Load Speed (4 mm screws)	24 mm / sec (1 in / sec)	
Resolution (10 mm screws)	0.025 mm (.001 in)	
Resolution (4 mm screws)	0.01 mm (.0004 in)	

- Electronics Package:**
- Includes 3-axis microstep controller installed and wired inside machine.
 - 400 watt high-speed spindle (8-22K rpm).