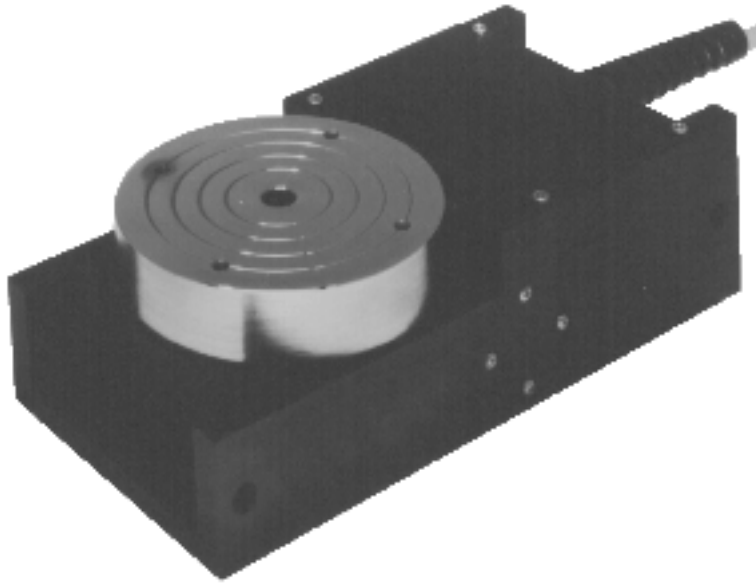
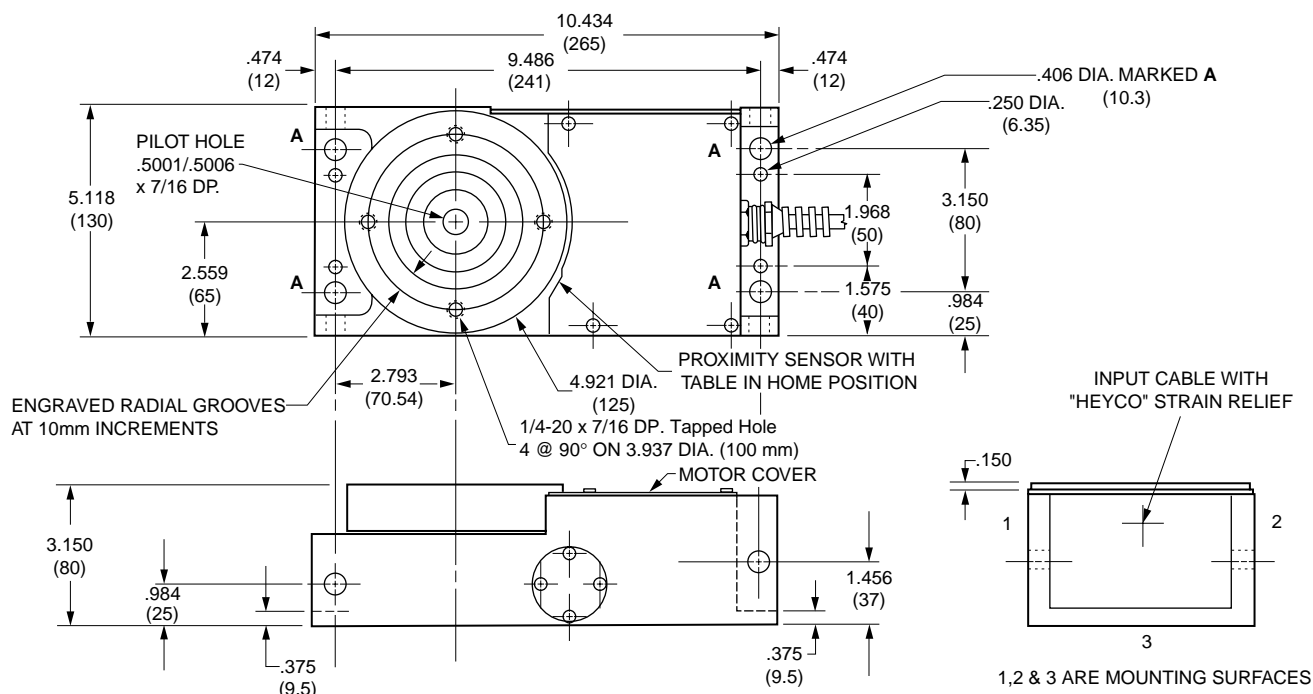


FEATURES

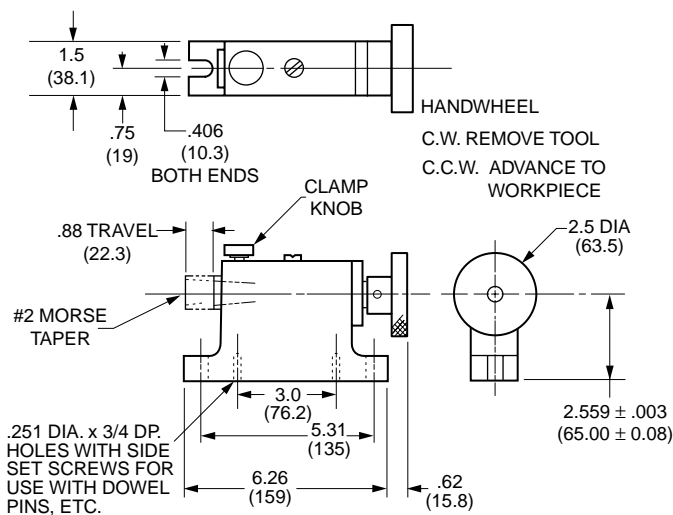
- ◆ Special anti-backlash worm & gear set, providing 100:1 reduction
- ◆ Very high load capacity
- ◆ Sealed to allow use with cutting fluids
- ◆ Includes precision inductive proximity HOME sensor
- ◆ All models with stepper motor option feature 150 oz•in stepper motor, model KO4322P695262
- ◆ All models with servo motor option feature model K72U32-2464 with line driver optical rotary encoder, 1000 line
- ◆ Versatile mounting surfaces
- ◆ Sturdy single piece aluminum case
- ◆ Heavy-duty chrome plated steel table top with integral shaft
- ◆ Includes 4 tapped 1/4 - 20 x 7/16" holes for mounting



Catalog Number	Description
KV5822P37099UW	Rotary Table, Stepper Motor
KV5822U37099UW	Rotary Table, Servo Motor
KV5822P37099WV	Tailstock
KV8322P37099PV	Vertical Mounting Set
KV7822P37099	Center Set



SPECIFICATIONS	Stepper	Servo
Table Diameter	125 mm	
Table Height	80 mm	
Table Center Height	65 mm	
Center Hole, Diameter	.5001 / .5006 in	
Center Hole, Depth	.437 in	
Maximum Speed	60 deg / sec	72 deg / sec
Resolution	33 sec	6.5 sec
Maximum Torque	1340 N•cm	1600 N•cm
Load Capacity, Horizontal	1000 kg	
Load Capacity, Vertical	500 kg	
Clamping Torque	6000 N•cm	
Homing Accuracy	± 33 sec	
Repeatability	± 3.4 sec	
Flatness	0.005 TIR mm	
Concentricity	0.018 TIR mm	
Weight	6.4 kg	



**NOTES ON SPECIFICATIONS:** Stepper motor is model KO4322P695262, operating in half step mode, with 4.5A / phase, 40V chopper driver. Servo motor is model K72U32-2464, operating with 6A/80V chopper amplifier and 1000 line encoder operating in quadrature.

These figures will, of course, vary with different loads, amplifiers and acceleration profiles provided by the controller.